

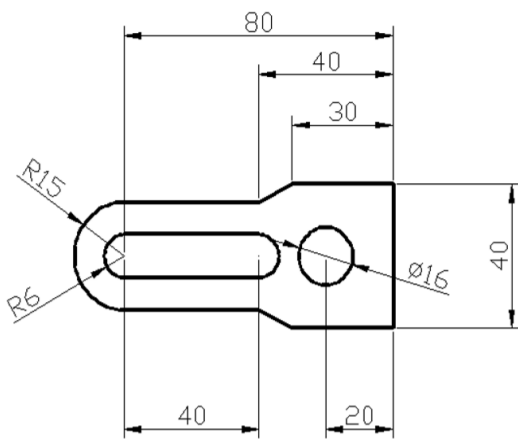


Tutorial 1

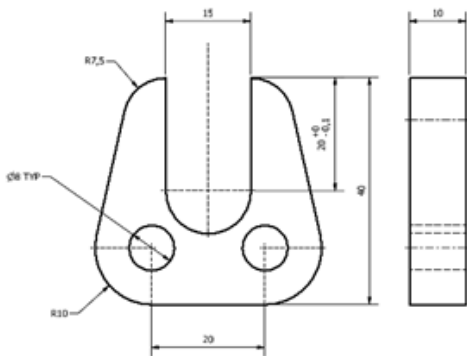
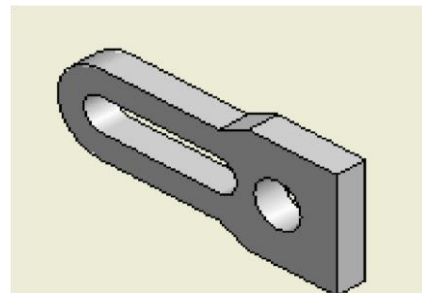
You are required to produce the following parts as separate ipt parts.

Extrude each sketch by 10mm to create the solid model part.

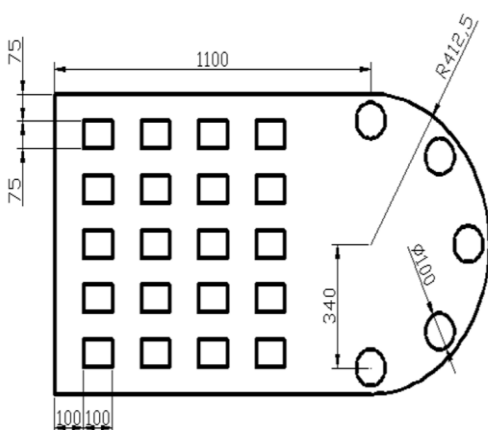
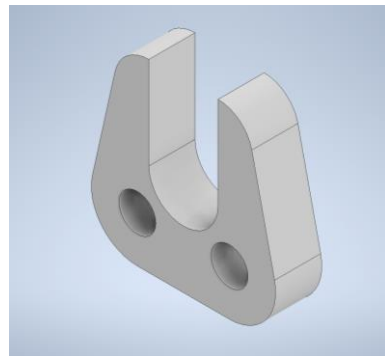
Save individual parts files Tutorial1A.ipt / Tutorial1B.ipt / Tutorial1C.ipt for submission.



Tutorial1A.ipt



Tutorial1B.ipt



Tutorial1C.ipt

